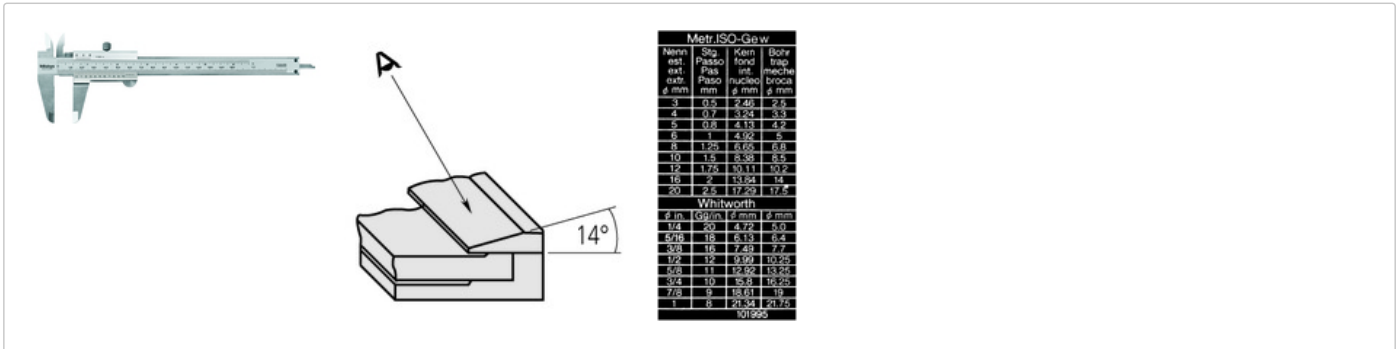




Vernier Caliper

0-150mm, Metric/Inch

Item number: 530-104



Description

These are a standard type of vernier caliper that offer you the following benefits:

- Main scale and vernier scale satin chrome finish gives you high readability.
- Raised sliding surfaces.

Features

Range: **0 - 6 inch**

Range: **0 - 150 mm**

Range:

Accuracy: **$\pm 0,05$ mm/0.002"**

Depth bar: **flat**

Mass: **143 g**

Accuracy: **Refer to the list of specifications**

Delivered: **In soft case**

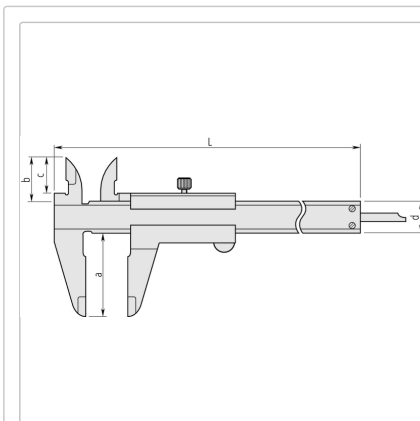
Digital/Analog: **Analog**

Inch-Metric: **Metric/Inch**

Functions: **Graduation 0,05 mm-1/128"**

With upper locking screw: **Yes**

Dimensions



L: **229 mm**

a: **40 mm**

b: **21 mm**




c: **17 mm**

d: **16 mm**

Accessories

Optional accessories:

Product	Price

Product	Price
 <p>Depth Base Attachment for Caliper, 75mm width for 100, 150, 200mm range 050083-10</p>	Suggested retail price: 47.00 €*
 <p>Depth Base Attachment for Caliper, 100 mm width for 100mm, 100, 150, 200mm range 050084-10</p>	Suggested retail price: 52.00 €*
 <p>Depth Base Attachment for Caliper, 125 mm width for 300mm range 050085-10</p>	Suggested retail price: 59.00 €*