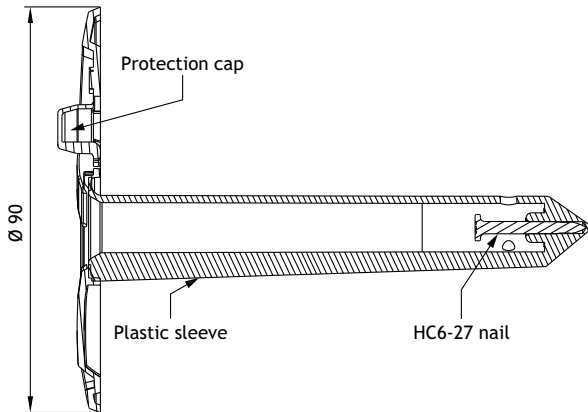
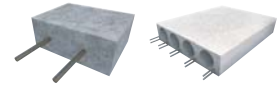


SPIT IF InsulFast



NAIL LENGTH SELECTION

| Designation | Insulation thickness | Code |
|-------------|----------------------|--------|
| IF 60 | 50 - 60 | 060501 |
| IF 80 | 70 - 80 | 060502 |
| IF 100 | 90 - 100 | 060503 |
| IF 120 | 110 - 120 | 060504 |
| IF 140 | 130 - 140 | 060505 |
| IF 160 | 150 - 160 | 060506 |
| IF 180 | 170 - 180 | 060507 |
| IF 200 | 190 - 200 | 060508 |

APPLICATION

- To fix insulation under cladding facade

DESCRIPTION

- Plastic sleeve head Ø90
- The nail HC6-27 is premounted.
- A protection cap to allow a good waterproofness and eliminate thermal bridge.

PROPERTIES MATERIAL

Plastic sleeve head Ø90:

- Polyethylen High density.
- Black anti-UV

HC6-27 Nail:

- Carbon steel
- Mechanical zinc plating, min zinc coating 10 µm
- Core hardness ≥ 56 HRC

TOOLS

- PULSA InsulFast

APPLICATION LIMIT

- Minimum installation temperature: -5°C
- Base materials:
 - Concrete C50/60
 - Precasted concrete C60/70
 - Other material: jobsite tests must be performed

DISTANCE RECOMMENDED

- Between 2 fixings: distance of 83 mm
- Distance from insulation edge: minimum distance of 25 mm
- Density: 2 fixings/m² minimum, for insulation thickness <140 mm
- In the case of cutting or singular points, it may be necessary to increase the number of fixings.

RECOMMENDED LOADS

- TENSILE

The recommended load (kN) are calculated from the characteristic load and a safety factor higher than 3.

| | |
|-------------------------------------|-----------|
| Insulation thickness (mm) | 40 -> 200 |
| Concrete (h _{nom} = 15 mm) | 0.30 kN |