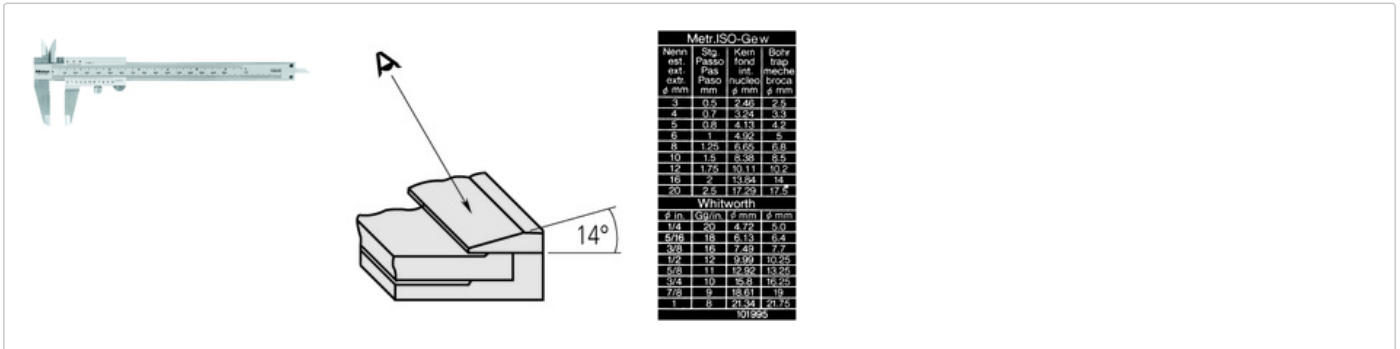


# Mitutoyo

## Vernier Caliper

0-150mm, Metric/Inch

Item number: 530-316



### Description

These are a standard type of vernier caliper that offer you the following benefits:

- Main scale and vernier scale satin chrome finish gives you high readability.
- Raised sliding surfaces.

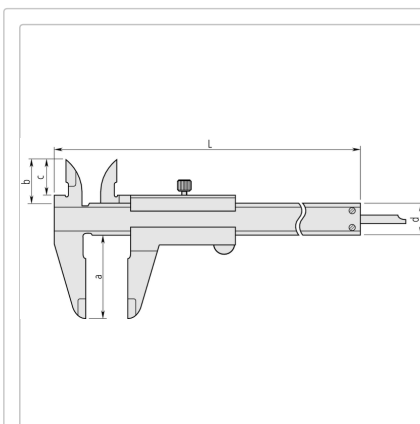
### Features

Range: **0 - 6 inch**Range: **0 - 150 mm**

Range:

Accuracy: **±0,05 mm/0.002"**Depth bar: **flat**Mass: **145 g**Accuracy: **Refer to the list of specifications**Delivered: **In soft case**Digital/Analog: **Analog**Inch-Metric: **Metric/Inch**Functions: **Graduation 0,05 mm-1/128"**

### Dimensions

L: **229 mm**a: **40 mm**b: **21 mm**c: **17 mm**d: **16 mm**

### Accessories

#### Optional accessories:

| Product   | Price                               |
|---|-------------------------------------|
|  <b>Depth Base Attachment for Caliper, 75mm width</b><br>for 100, 150, 200mm range<br><b>050083-10</b> | Suggested retail price:<br>47.00 €* |

| Product   | Price                               |
|---|-------------------------------------|
|  <p><b>Depth Base Attachment for Caliper, 100 mm width</b><br/>for 100mm, 100, 150, 200mm range<br/><b>050084-10</b></p> | Suggested retail price:<br>52.00 €* |
|  <p><b>Depth Base Attachment for Caliper, 125 mm width</b><br/>for 300mm range<br/><b>050085-10</b></p>                  | Suggested retail price:<br>59.00 €* |